



CONTACT MODULE WITH 2 CONTACT ELEMENTS, 2NC, SCREW TERMINAL, FOR FRONT PLATE MOUNTING

Figure similar

product brand name	SIRIUS ACT
Product designation	Commanding and signaling devices
Design of the product	Contact module

Contact block/ lampholder:

Suitability for integration	
<ul style="list-style-type: none"> • pressure selection button • front element • Pendant pushbutton • Pendant switch 	<p>Yes</p> <p>Yes</p> <p>Yes</p> <p>Yes</p>

General technical data:

Product function	
<ul style="list-style-type: none"> • positive opening 	Yes
Insulation voltage	
<ul style="list-style-type: none"> • Rated value 	500 V
Degree of pollution	3
Vibration resistance	
<ul style="list-style-type: none"> • acc. to IEC 60068-2-6 	10 ... 500 Hz: 5g
Surge voltage resistance Rated value	6 kV
Operating frequency maximum	3 600 1/h
Mechanical service life (switching cycles)	
<ul style="list-style-type: none"> • typical 	10 000 000
Electrical endurance (switching cycles)	
<ul style="list-style-type: none"> • typical 	10 000 000
Thermal current	10 A
Protection class IP	

<ul style="list-style-type: none"> • of the enclosure 	IP40
<ul style="list-style-type: none"> • of the terminal 	IP20
Equipment marking	
<ul style="list-style-type: none"> • acc. to DIN EN 61346-2 	S
<ul style="list-style-type: none"> • acc. to DIN EN 81346-2 	S
Design of the fuse link for short-circuit protection of the auxiliary switch with type of assignment 1 required	gG / Dz 10 A, quick-acting / Dz 10 A
Continuous current of the C characteristic MCB	10 A

Power Electronics:

Contact reliability	One maloperation per 100 million (17 V, 5 mA), one maloperation per 10 million (5 V, 1 mA)
----------------------------	--

Auxiliary circuit:

Number of NC contacts	
<ul style="list-style-type: none"> • for auxiliary contacts 	2
Number of NO contacts	
<ul style="list-style-type: none"> • for auxiliary contacts 	0
Number of CO contacts	
<ul style="list-style-type: none"> • for auxiliary contacts 	0
Design of the contact of the auxiliary contacts	Silver alloy
Operating current at AC-12	
<ul style="list-style-type: none"> • at 24 V Rated value 	10 A
<ul style="list-style-type: none"> • at 48 V Rated value 	10 A
<ul style="list-style-type: none"> • at 110 V Rated value 	10 A
<ul style="list-style-type: none"> • at 230 V Rated value 	8 A
<ul style="list-style-type: none"> • at 400 V Rated value 	8 A
Operating current at AC-15	
<ul style="list-style-type: none"> • at 24 V Rated value 	6 A
<ul style="list-style-type: none"> • at 48 V Rated value 	6 A
<ul style="list-style-type: none"> • at 110 V Rated value 	6 A
<ul style="list-style-type: none"> • at 230 V Rated value 	6 A
<ul style="list-style-type: none"> • at 400 V Rated value 	3 A
<ul style="list-style-type: none"> • at 500 V Rated value 	1.4 A
Operating current at DC-12	
<ul style="list-style-type: none"> • at 24 V Rated value 	10 A
<ul style="list-style-type: none"> • at 48 V Rated value 	5 A
<ul style="list-style-type: none"> • at 110 V Rated value 	2.5 A
<ul style="list-style-type: none"> • at 230 V Rated value 	1 A
<ul style="list-style-type: none"> • at 400 V Rated value 	0.3 A
<ul style="list-style-type: none"> • at 500 V Rated value 	0.3 A
Operating current at DC-13	
<ul style="list-style-type: none"> • at 24 V Rated value 	3 A

• at 48 V Rated value	1.5 A
• at 110 V Rated value	0.7 A
• at 230 V Rated value	0.3 A
• at 400 V Rated value	0.1 A
• at 500 V Rated value	0.1 A

Connections/ Terminals:

Type of electrical connection	screw-type terminals
Type of connectable conductor cross-section	
• solid with core end processing	2x (0.5 ... 0.75 mm ²)
• solid without core end processing	2x (1.0 ... 1.5 mm ²)
• finely stranded with core end processing	2x (0.5 ... 1.5 mm ²)
• finely stranded without core end processing	2x (1,0 ... 1,5 mm ²)
• for AWG conductors	2x (18 ... 14)
Tightening torque	
• with screw-type terminals	0.8 ... 0.9 N·m

Ambient conditions:

Ambient temperature	
• during operation	-25 ... +70 °C
• during storage	-40 ... +80 °C
Environmental category during operation acc. to IEC 60721	3K6, 3C3, 3S2, 3M6

Installation/ mounting/ dimensions:

Mounting type	
• of modules and accessories	Front plate mounting
Height	34 mm
Width	9.8 mm
Depth	49.7 mm

Certificates/ approvals:

Further information

Information- and Downloadcenter (Catalogs, Brochures,...)

<http://www.siemens.com/industrial-controls/catalogs>

Industry Mall (Online ordering system)

<http://www.siemens.com/industrymall>

Cax online generator

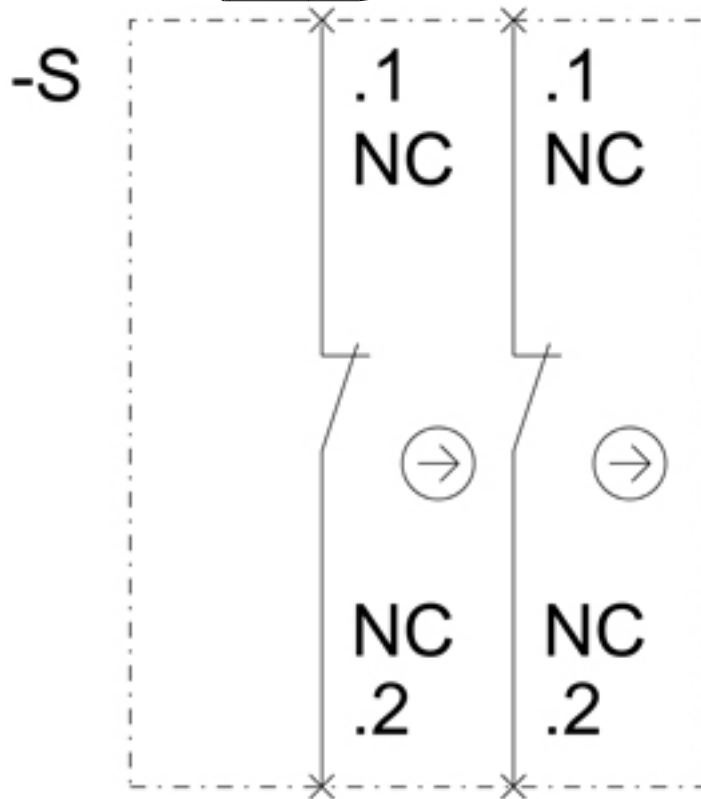
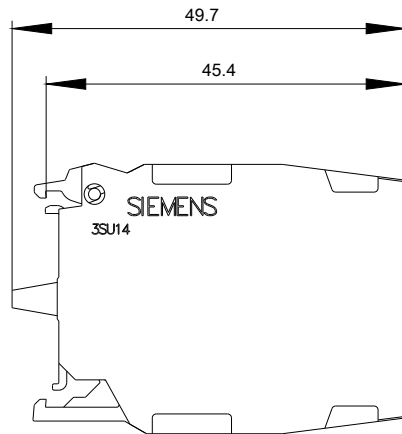
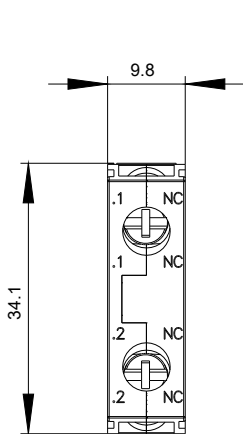
<http://support.automation.siemens.com/WW/CAXorder/default.aspx?lang=en&mlfb=3SU14001AA101EA0>

Service&Support (Manuals, Certificates, Characteristics, FAQs,...)

<https://support.industry.siemens.com/cs/ww/en/ps/3SU14001AA101EA0>

Image database (product images, 2D dimension drawings, 3D models, device circuit diagrams, EPLAN macros, ...)

http://www.automation.siemens.com/bilddb/cax_de.aspx?mlfb=3SU14001AA101EA0&lang=en



last modified:

02.06.2015